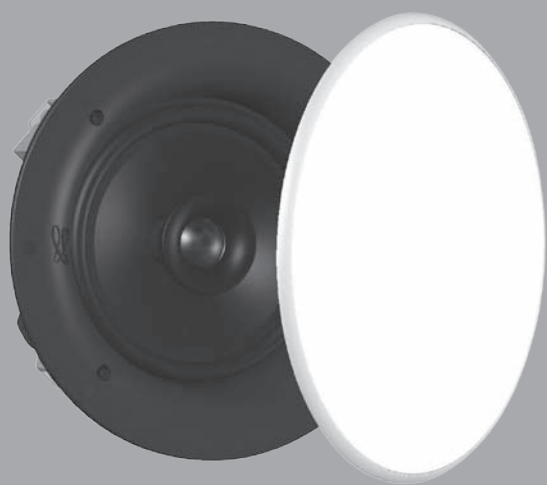
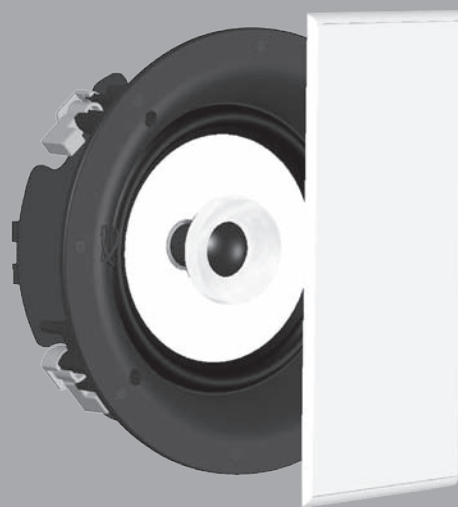


ARCHIPEL 13 SERIES

NOTICE D'INSTALLATION DES ENCEINTES ACOUSTIQUES
LOUDSPEAKERS OWNER'S MANUAL
BETRIEBSANLEITUNG FÜR LAUTSPRECHERBOXEN



ARCHIPEL 131CP

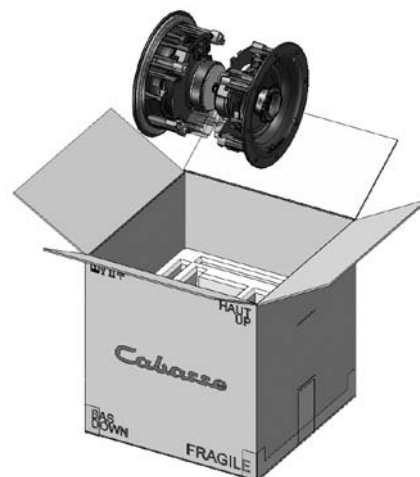
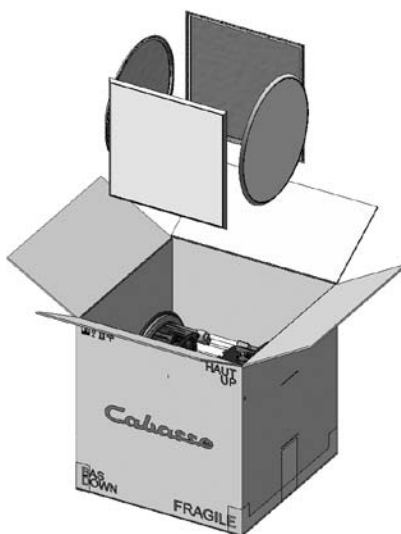
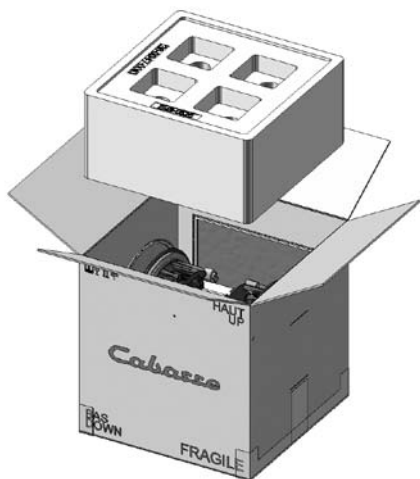
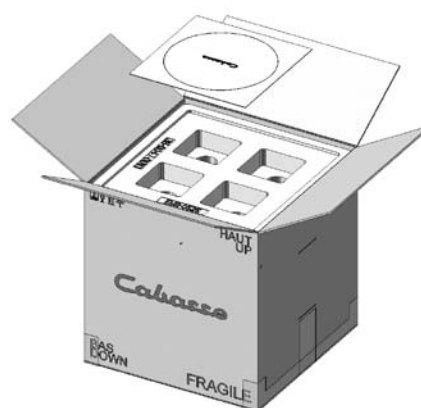
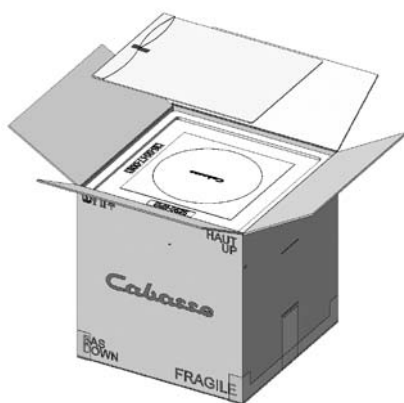
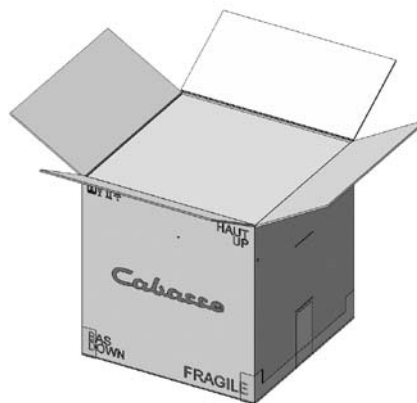
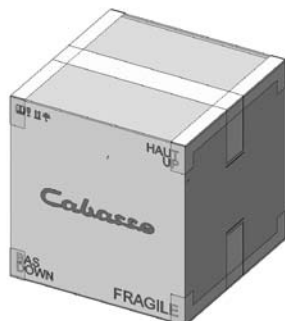


ARCHIPEL 131CD

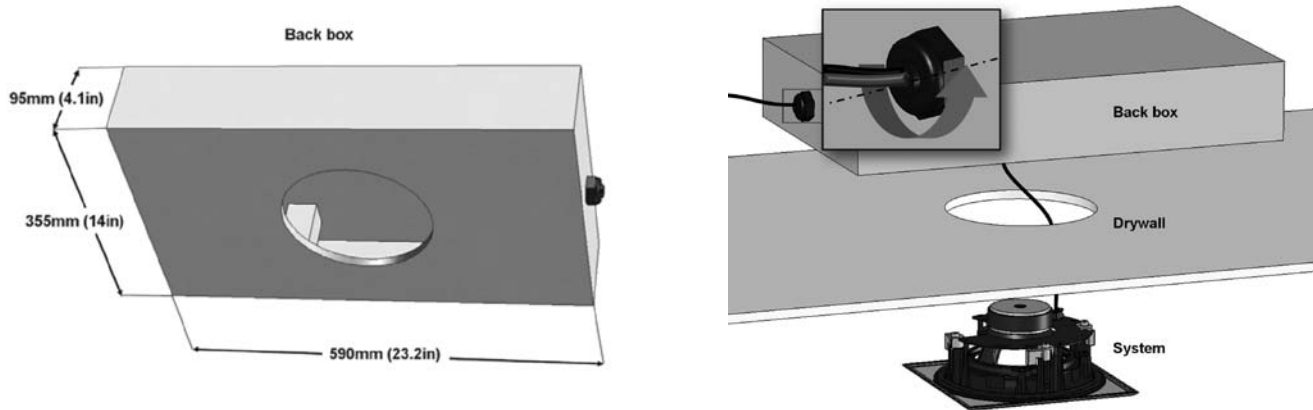
Cabasse

www.cabasse.com

① DEBALLAGE - UNPACKING - AUSPACKEN



② OPTION ENCEINTE ARRIERE - BACK BOX OPTION - BACK BOX ZUSATZAUSSTATTUNG

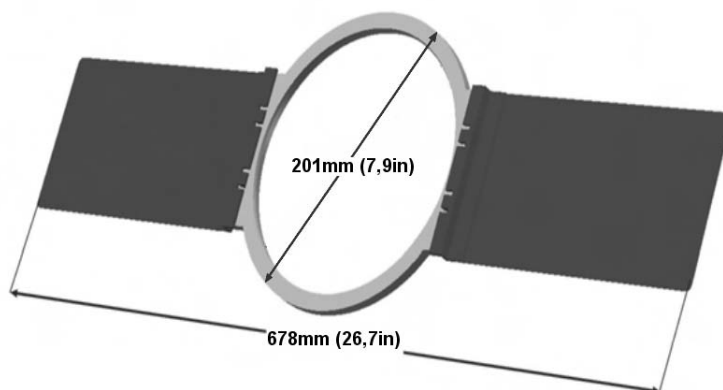


L'option «enceinte arrière» garantit le bon fonctionnement des ensembles Archipels. Le volume de charge clos est optimisé pour ces modèles, l'enceinte est réalisée en MDF hydrofuge. Le concours d'un professionnel est fortement conseillé pour un résultat et un fini optimum.

The use of the back box option guarantees best use of the Archipel speakers. The damp proof MDF closed enclosure offers optimal loading volume. We advise install to be made by a professional for best result and finish.

Die Back Box Zusatzausstattung garantiert das ideale Funktionieren der Archipel-Lautsprecher. Das geschlossene Ladevolumen dieser Box aus wasserabweisendem MDF ist optimal an diese Modelle angepasst. Für ein optimales Resultat sollte die Installierung von einem Fachmann durchgeführt werden.

③ OPTION KIT D'INSTALLATION - MOUNTING KIT OPTION - EINBAU KIT ZUZATZAUSSTATTUNG

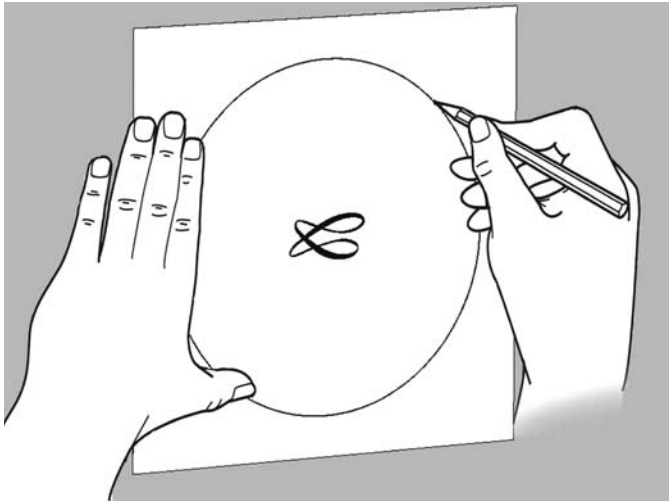


Ce kit facilite l'installation des enceintes Archipels lors d'une construction nouvelle pour des parois en plaques de plâtre ou équivalent. Le concours d'un professionnel est fortement conseillé pour un résultat et un fini optimum.

This kit eases the mounting of the Archipel speakers for a new construction, especially on drywalls. We advise install to be made by a professional for best result and finish.

Dieses Einbaukit erleichtert die Installierung der Archipel-Lautsprecher bei einem Neubau, besonders bei Riegipsplatten oder ähnlichem. Für ein optimales Resultat sollte die Installierung von einem Fachmann durchgeführt werden.

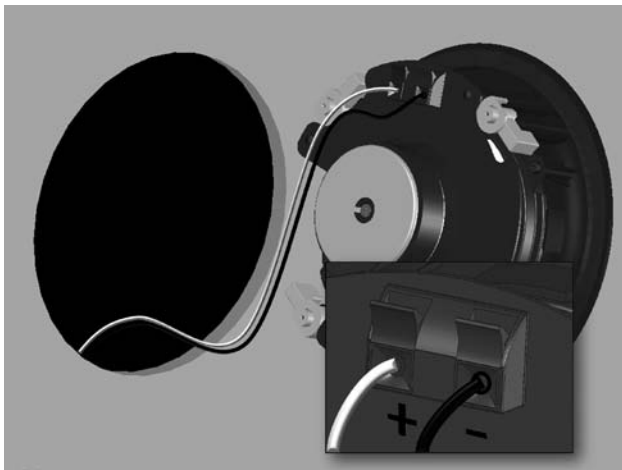
④ INSTALLATION ET PLACEMENT - SET-UP AND POSITIONNING - AUFSTELLUNG UND EINBAU



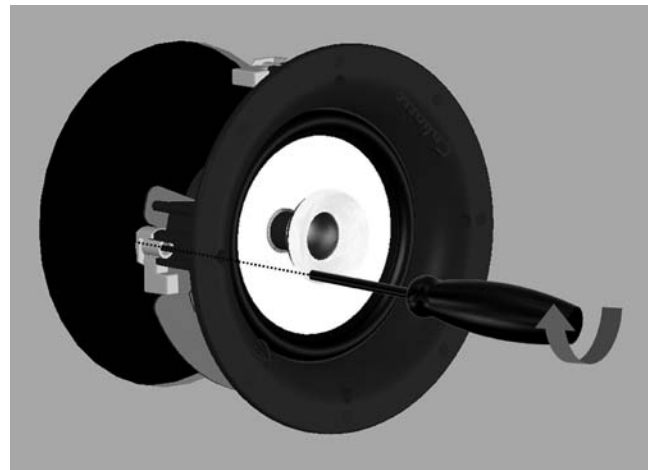
4a



4b



4c



4d

UNPACKING ①

After opening the top carton flaps, fold the carton flaps right back and invert the carton contents. Remove the cutting template and the upper foam form, then the grilles followed by the speakers. Keep the grilles away from the work area until you are ready to fit them. We suggest you to retain the packing for future use.

Check the contents :

- 2 speakers with 1 round and 1 square grille each
- 1 alignment template

SET-UP AND POSITIONING ④

Check that there is no conflict with other installations (pipe work, air conditioning, powercabling etc.). In existing construction, use a stud-finding tool to map the construction accurately and a pipe detector to scan the proposed installation position. Avoid installing the speakers in the same cavity as flimsy ducting, which may be induced to rattle. The speakers are designed to operate satisfactorily in a wide range of cavity volumes, ideally above 13 litres (0.46 cu ft). Placement near a wall/ceiling junction or in a corner is to be avoided as it may give rise to too much bass and a boomy quality to the sound. If possible, keep the speakers more than 0.5 m (20 in) from the ceiling edges.

Damping the wall cavity

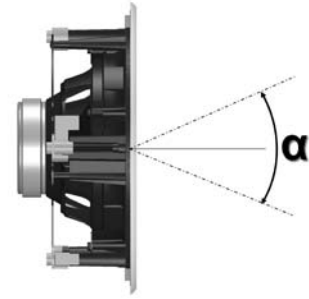
In addition, loosely fill the whole section of the cavity with wadding. Fibreglass and mineral wool matting supplied for heat insulation are suitable, but not closed cell foam or expanded polystyrene. Check that there is no debris that may fall into the speaker (especially in ceiling mount situations).

IMPORTANT: YOU SHOULD CHECK THAT THE MATERIALS YOU USE MEET THE LOCAL FIRE AND BUILDING REGULATIONS.

To get the best possible results, we advise you to use the appropriate optional item, either the Cabasse backbox ③ for Archipel 13, or the kit for drywall mounting ④.

Set-up

- Position the template on the surface as required. Mark around the outside of the template 4a and cut the aperture neatly 4b.
- Connect the speaker cable to the terminals 4c and to the amplifier. Respect the phase.
- Position the frame in the wall or ceiling and screw in the 4 screws visible from the front of the frame 4d. These screws swing out clamping dogs that locate behind the drywall.
- Ensure that they have located properly and tighten the screws. A certain amount of flexing of the frame is allowed to take up unevenness in the mounting surface, but do not over tighten the screws as excessive distortion of the frame may occur.
- If necessary, swivels the tweeter towards the listening area with a gentle pressure on it's perimeter. Do not touch the dome diaphragm of the tweeter.



The rotation is possible in every direction within an α angle up to 20° for the 13ICP and 30° for the 13ICD.

- Position the grille of your choice in front of the speaker. It will automatically be fitted thanks to the magnetic link. It is possible to rotate the grille once fitted.

Customising

The grille has a paintable white semi-matte finish, ready if necessary to be re-finished to match your own decor.

ATTENTION: TURN OFF ALL THE AMPLIFIERS BEFORE INTERCONNECTING THEM TO THE LOUDSPEAKERS. IN ORDER TO CONNECT LOUDSPEAKERS PROPERLY, IT IS MOST IMPORTANT TO KEEP IN MIND THE FOLLOWING TWO FACTORS: CABLE SECTION AND PHASE.

CONNECTION

Cable section

To get the full sonic potential of Cabasse loudspeakers and avoid power losses, the cables connecting the speakers to the power amplifier must have the lowest possible electrical resistance. To help you in choosing the correct cable gauge, follow diagram.

Phase

Amplifier and speaker manufacturers typically indicate connection polarity in one of two ways: red and black or plus and minus. In either case, always connect red or plus to red or plus and black or minus to black or minus. Connections should be identical for all channels.

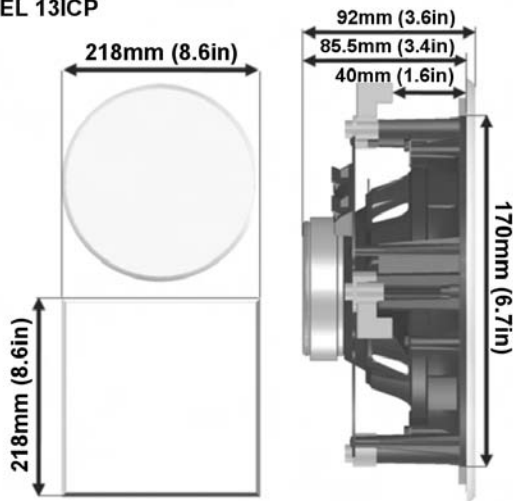
Length between amplifier and loudspeakers	Recommended section
4,5 m	1,5 mm ²
6 m	2 mm ²
7,5 m	2,5 mm ²
9 m	3 mm ²
12 m	4 mm ²

AFTER SALE SERVICE

Cabasse retailers' network is at your disposal to ensure the after sale service of your material. To get the list of Cabasse retailers, contact us or consult our web site www.cabasse.com.

Thanks to the above information, your installation is now nicely set up and we hope you will enjoy your speaker system for many years. We receive every day letters from customers expressing the ever growing satisfaction and musical emotion they have been getting with our speakers over the years. These letters are our first motivation.

ARCHIPEL 13ICP



ARCHIPEL 13ICP SPECIFICATIONS

Use : in ceiling / in wall

Ways : 2

Drivers :

- 1 x DOM24 pivoting tweeter - soft dome membrane
- 1 x 13T15 IC midrange-woofer - P2C diaphragm

Cross-over point : 3,570 Hz

Frequency response : 65 Hz - 21,500 Hz

Sensitivity 1 W / 1 m : 84.5 dB

Nominal impedance : 8 ohms

Minimum Impedance : 8.5 ohms

Power handling : 25 W

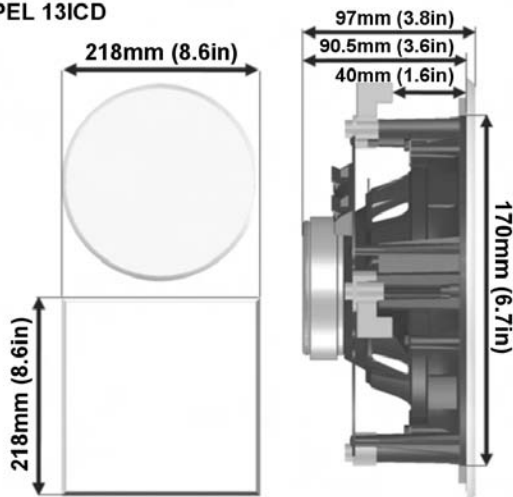
Peak power : 200 W

Dimensions (H x W x D) : 22 x 22 x 9.2 cm - 8.7 x 8.7 x 3.6 in

Weight : 1.4 kg - 3 lbs

Standard finish : white (paintable grill)

ARCHIPEL 13ICD



ARCHIPEL 13ICD SPECIFICATIONS

Use : in ceiling / in wall

Ways : 2

Drivers :

- 1 x DOM25 pivoting tweeter - Kaladex® dome
- 1 x 13M20 IC midrange-woofer - Duocell diaphragm

Cross-over point : 3,700 Hz

Frequency response : 73 Hz - 22,000 Hz

Sensitivity 1 W / 1 m : 86.5 dB

Nominal impedance : 8 ohms

Minimum Impedance : 7.2 ohms

Power handling : 30 W

Peak power : 240 W

Dimensions (H x W x D) : 22 x 22 x 9.7 cm - 8.7 x 8.7 x 3.8 in

Weight : 1.6 kg - 3.5 lbs

Standard finish : white (paintable grill)